

ACOUSTIC PRODUCTS FOR HVAC AND INDUSTRY

U-Spec Acoustic Products for HVAC and Industry consist of **Acoustilag**, **U-Tube**, and **Acoustek Wrap** which are high performance acoustic insulation products incorporating a mass-barrier layer, and designed to provide noise control to circular and rectangular ductwork and service and process pipework. The mass barrier is available in 5kg/m² and 10kg/m² weights.

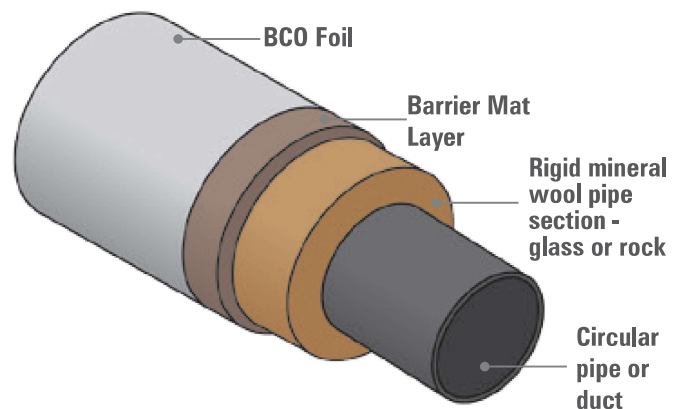
ACOUSTILAG is made from acoustic glass wool, which has been tissue-faced both sides and stitched to form a quilt, and laminated to a mass barrier membrane which has an outer facing finish of reinforced Bright Class O aluminium foil. The glass wool is available in 25mm and 50mm thicknesses (pre-quilted).

Quilt	25mm, 50mm
Dimensions	2m x 1.2m
Form	Flat sheet or roll
Mass barrier	5kg/m ² , 10kg/m ²



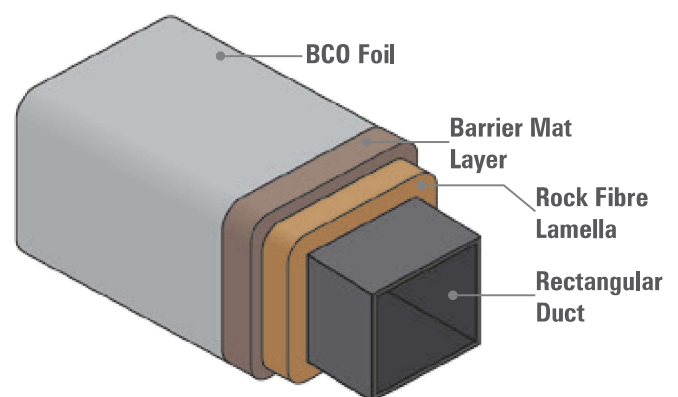
U-TUBE is manufactured from rock wool rigid pipe sections, and covered with a mass barrier membrane. The membrane has an outer facing finish of reinforced Bright Class O aluminium foil.

Length	1m, 1.2m
To suit pipe OD	17mm to 610mm
Wall thickness	20mm to 100mm
Mass barrier	5kg/m ² , 10kg/m ²



ACOUSTEK WRAP consists of 45kg/m³ stone wool lamella strips which are bonded to a mass barrier membrane. The mass barrier incorporates reinforced Bright Class O aluminium foil to the exposed side.

Mineral wool	25mm to 120mm
Dimensions	2m x 1.2m
Form	Flat sheet or roll
Mass barrier	5kg/m ² , 10kg/m ²



Fire Performance

Glass and rock mineral wool - Reaction to fire, Euroclass A1
Reinforced aluminium foil – Class O to Building Regulations
Mass barrier – Reaction to fire, Euroclass B – s2, d0.

Maximum Service Temperature

230°C, but to maintain the integrity of the factory-applied covering, the surface temperature of the products should not exceed 80°C.

Packaging

U-Spec Acoustic Products are supplied on pallets, and protected by polythene covering, which is designed for short-term protection only. For long-term protection on site, the product should be stored indoors, or under cover and off the ground and should not be left permanently exposed to the elements before installation.